



AMERICAN & OHIO LOCOMOTIVE CRANE CO.

**811 Hopley Avenue
P.O. Box 511
Bucyrus, Ohio 44820**

800-993-6446 ~ 419-562-6010 ~ Fax: 419-562-2565 ~ www.alocrane.com

OEM Product Support Bulletin

No. 13

DATE: February 24, 2009 (revision date)

SUBJECT: **BELT DRIVE CONVERSION**

Kit Part #: **Specific per S/N**

RATING:

DIRECTIVE
(Action is required)

ALERT
(Potential Problem)

INFORMATION
(Action is optional)

PRODUCT IMPROVEMENT
(Product Update)

**Machine
Model (s):**

All American DE's & DEH's and All Ohio DE Locomotive Cranes

**Serial
Numbers:**

Specific per serial number

Summary:

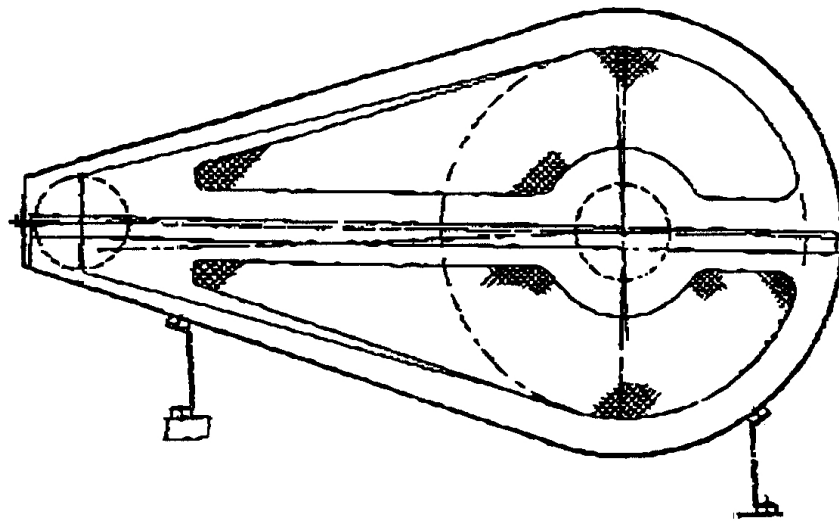
Belt Drive updates the machinery to the latest production design.

**Operational
Impact:**

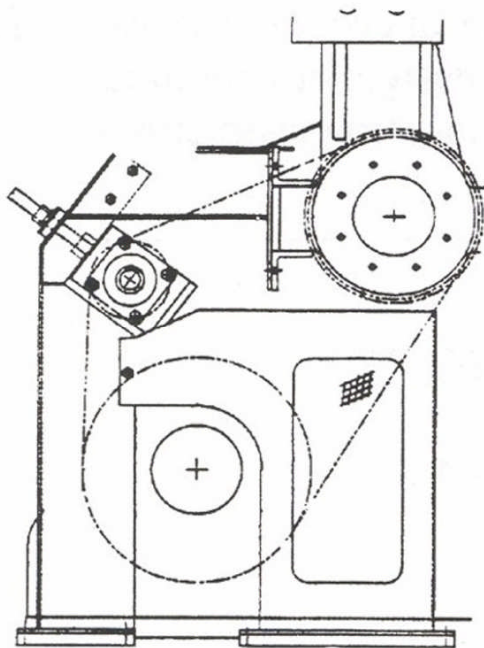
- > Designed for in the field retrofit on existing cranes.
- > Reduced maintenance cost associated with chains.
- > Easy installation
- > Eliminates oil leakage associated with chains.
- > Quieter operation.
- > Minimizes adjustment time.

Warranty:

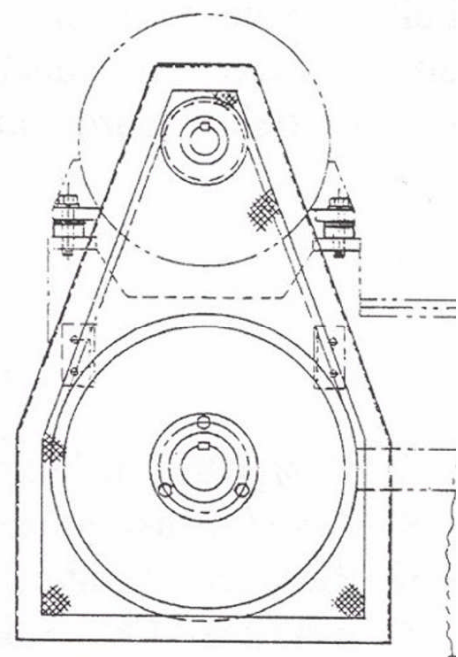
n/a



Main Drive Belt Conversion Update
For American & Ohio Locomotive Cranes
(Kit Part No. - Specific per Model Type & Serial Number)



Boom Hoist Belt Drive Update
Ohio DE Crane only
Standard Kit No. 410242



Electric Rotate (Swing) Update
Ohio DE Crane only
Standard Kit No. 410006