



AMERICAN & OHIO LOCOMOTIVE CRANE CO.

**811 Hopley Avenue
P.O. Box 511
Bucyrus, Ohio 44820**

800-993-6446 ~ 419-562-6010 ~ Fax: 419-562-2565 ~ www.alocrane.com

OEM Product Support Bulletin

No. 16

DATE: February 24, 2009 (revision date)

SUBJECT: **BOLSTER BOWL LINERS** Kit Part #: **50798-1**

RATING: **DIRECTIVE** **ALERT**
(Action is required)

INFORMATION **PRODUCT IMPROVEMENT**
(Action is optional) (Enhance Product)

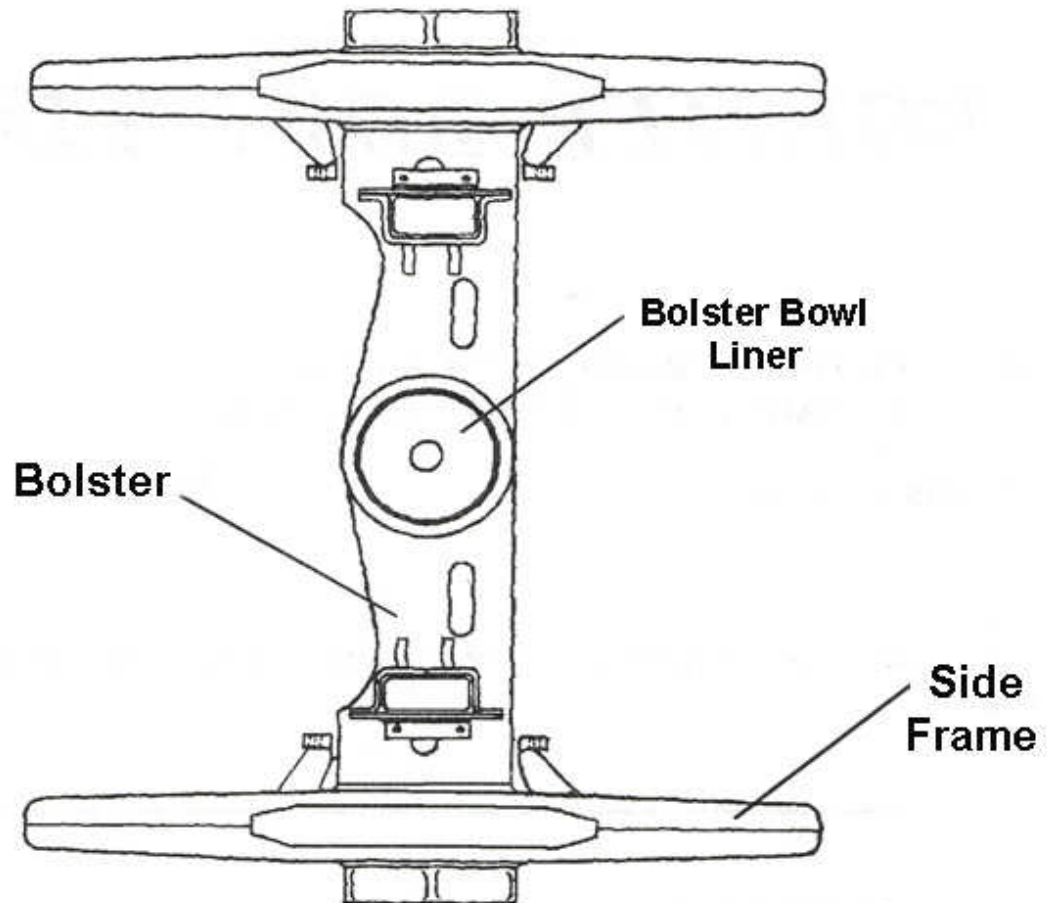
Machine Model (s): All American and Ohio Cranes

Serial Numbers: All Locomotive Cranes

Summary: This Liner provides a semi-permanent lubrication to the Bolster Bowl

Operational Impact:

- > Reduces friction between the Bolster Beam Bowl and the Center Plate.
- > Excellent vibration and peening resistance.
- > High impact resistance.
- > High fatigue resistance.



OHIO CRANES:

When Truck Assemblies are removed for service. Grease should also be used in conjunction with the Bowl Liner for lubrication.

AMERICAN CRANES:

¼ cup of 80w oil should be added thru the ½” pipe on the top side of the Carbody next to the Truck Center Pins every 500 hours. This provides lubrication to the Bolster Bowl.