



AMERICAN & OHIO LOCOMOTIVE CRANE CO.

**811 Hopley Avenue
P.O. Box 511
Bucyrus, Ohio 44820**

800-993-6446 ~ 419-562-6010 ~ Fax: 419-562-2565 ~ www.alocrane.com

OEM Product Support Bulletin

No. 34

DATE: February 24, 2009 (revision date)

SUBJECT: LOCOMOTIVE CRANE RIDERS

RATING: **DIRECTIVE** (Action is required) **ALERT** (Safety Alert)
 INFORMATION **PRODUCT IMPROVEMENT** (Enhance Product)

Machine Model (s): All American & Ohio Locomotive Cranes

Serial Numbers: All

Summary: No person shall ride on Footboards or Sill Steps

Operational Impact:

- The use of “**Footboards**” (Running Boards) represents a **Safety Hazard**.
- We recommend that this device’s be removed and discarded.
- Sill (Foot) Steps that are mounted on the side of the Carbody are intended for access purposes only. The step must not be used for riding on the Carbody.
- If it is necessary for a person other than the operator to ride the crane, that person should ride in the operator’s cab and standing clear of all machinery.
- No person shall ride inside the machinery deck.
- Do not climb up on machine while crane is operating.



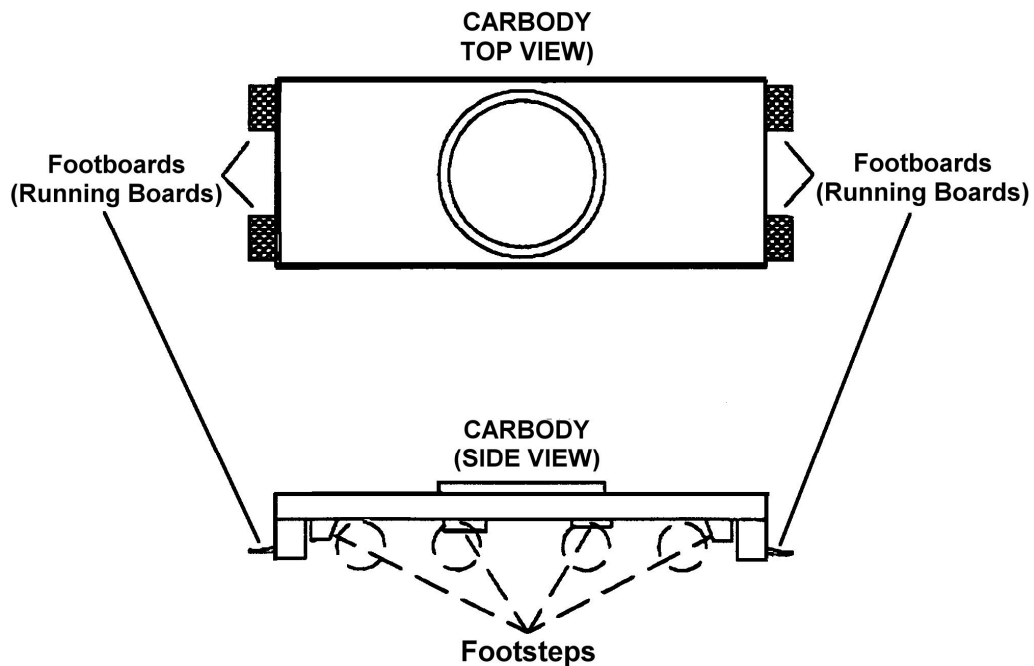
Warning Label Part No.
300795



Warning Label Part No.
101049

**REMOVE & DISCARD ALL FOOTBOARDS
(Running Boards)**

~ Location and designs may vary ~



**Footsteps are for access purposes only and not to be used
for riding on the machine.**