



AMERICAN & OHIO LOCOMOTIVE CRANE CO.

**811 Hopley Avenue
P.O. Box 511
Bucyrus, Ohio 44820**

800-993-6446 ~ 419-562-6010 ~ Fax: 419-562-2565 ~ www.alocrane.com

OEM Product Support Bulletin

No. 44

DATE: February 25, 2009 (revision date)

SUBJECT: BOOM HOIST WORN SHAFT ASSEMBLY RETAINER PLATE

RATING: **DIRECTIVE** (Action is required) **ALERT** (Safety Issue)
 INFORMATION **PRODUCT IMPROVEMENT** (Enhanced Product)

Machine Model (s): Ohio DE Series Locomotive Cranes

Serial Numbers: Prior to s/n 5040

Summary: Retainer Plate will hold the Shaft Key in place.

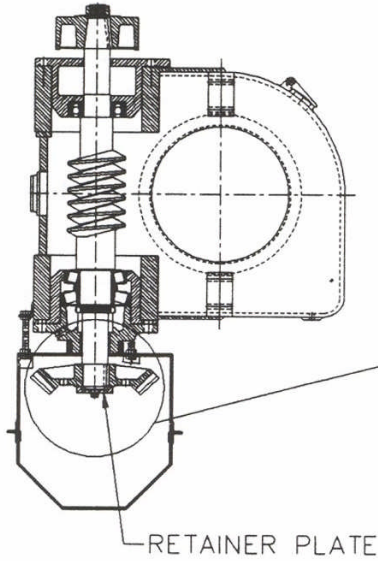
Retainer Plate (121071) secures Key in place with mounting hardware. 2 ea. Bolt (001016), 2 ea. Washer 9001000 & 2 ea. Nut (020093)

Operational Impact:

- The Miter Gear is secured with a key and a press fit on the Shaft.
- It is possible for the key to work loose over time and fall out. This permits the Gear & Worm Shaft to turn freely and independent of each other. In this instance, with the automatic brake release, the Boom may lower when the brake is released.
- This repair kit eliminates the Key from dropping down.

BOOM HOIST WORM SHAFT ASSY

CURRENT DESIGN



ON CRANES BUILT PRIOR TO S/N 5040 -- THE RETAINER PLATE MAY NOT EXIST

